

Easypack
Spiral®



www.easypack.net

Spiral™ paper protection straight into the box

The innovative Easypack Spiral™ produces flexible tubes of 100% recycled paper for protective void fill packaging, on demand, straight into the box. Ideal for all industries and cost effective for both high and low volume users, the Spiral system comes in manual and powered versions (SpiralPro).

Spiral fill prevents product movement within the packing box and is a highly effective way to protect your goods. It is easy to judge exactly the right amount of material to give all round protection and top fill. The flexible nature of the tubular material makes it simple to shape and form and is kind on the packer's hands.

The Spiral is a proven protective void fill solution, with the added benefits of being environmentally friendly, efficient and cost effective.



Spiral™ - manual version

Convenience

The compact, fully adjustable systems take up minimum space so that every packing bench can have its own dispenser.

The manual version offers complete flexibility for placement as an electrical supply is not needed.



Void fill, support and protection for all your products

Void fill on tap

A number of preset tubular lengths can be selected on the SpiralPro, controlled by a convenient footswitch. Both versions dispense unlimited lengths.

The tubes are quickly cut off manually by means of guarded serrated teeth using a sweeping action.

For heavier items, the tubular material can be coiled to support the goods, providing a resilient shock absorbing cushion. As well as top and side fill, Spiral pads hold products firmly in place in the box.

The use of recycled, recyclable and biodegradable material minimises the impact on the environment.



Both manual and powered versions are compact, take up minimum space on the packing bench and are fully adjustable for height, tilt and swivel.



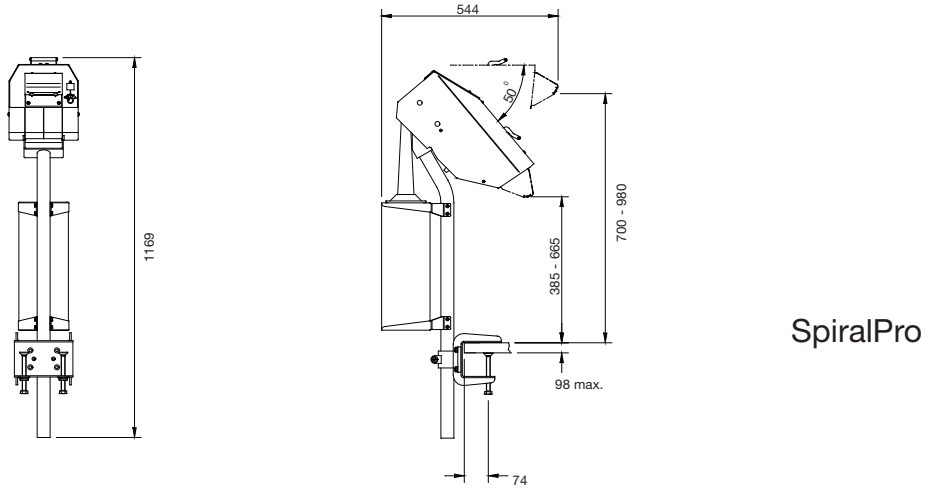
100% Recycled Paper

Increased productivity

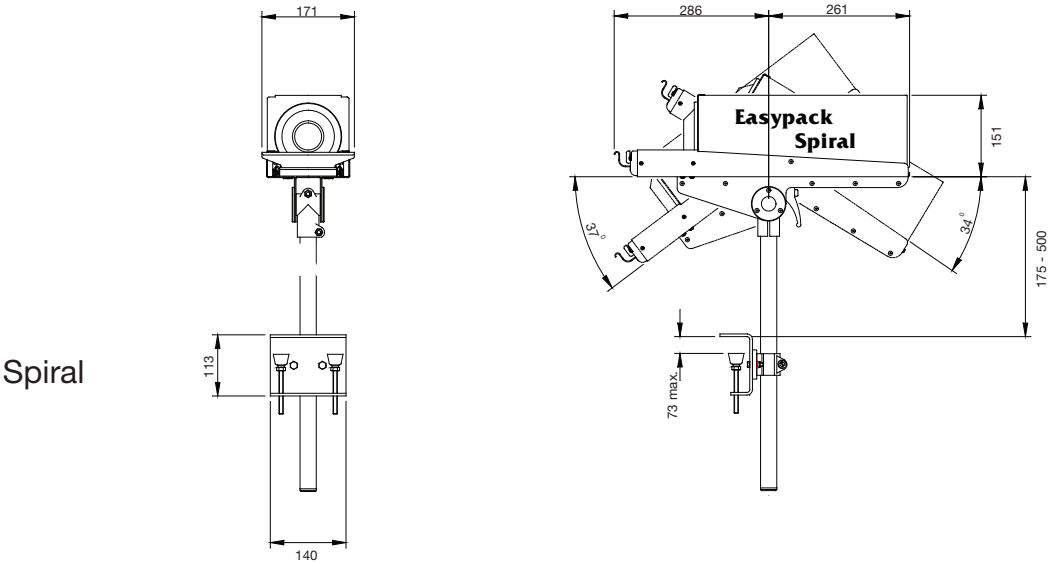
The packing operation is fast and efficient. Each paper tube is fed into the transit box exactly where needed and a single length is cut off when the correct amount of fill has been reached. For filling large spaces, the SpiralPro produces high volumes of packaging material, operating at speeds up to 99 metres per minute, to maximise output by each packer.



TECHNICAL DATA



SpiralPro



Spiral

ALL MEASUREMENTS IN MM UNLESS OTHERWISE STATED

SPECIFICATION

Machine	SpiralPro	Spiral
Paper refill box quantity	6 rolls	6 rolls
Machine weight (inc. bench clamp)	16.45 Kg	5.75 Kg
Roll weight	3.45 Kg	3.45 Kg
Output volume (per roll)	up to 0.8 m ³	up to 0.8 m ³
Spiral output tube diameter (nominal)	50 mm	50 mm
Standard feed rate (per minute)	99 m	Manual
Ideal usage	Continuous	Intermittent
Voltage	220V / 240V	N/A
Max power input	1A	N/A



Each roll produces up to 0.8 cubic metres of paper cushioning

E&OE